

310ML CARTRIDGE

310ml Cartridge – Unprinted

Cartridge Volume	310ml
Cartridge Weight	46g
Material	Hight Density Polyethylene (HDPE)

Cartridge Height	230.5mm +/- 1mm
Cartridge Diameter (OD)	48.65mm +/- 1mm
Wall Thickness	1.3mm +/- 0.2

Standard Pallet Configuration

Pallet Height	1.3m / 2.6m
Pallet Weight	160 / 320kg
Cartridges per Pallet	2,400 / 4,800
Cartridges per Pallet	120
Cartons per Layer	20



Plunger – Natural

Plunger Weight	6g +/- 0.3g
Plunger Diameter (OD)	46.25mm
Material	Hight Density Polyethylene (HDPE)

Standard Pallet Configuration

Pallet Height	1.15m
Pallet Weight	200Kg
Total Plungers per Pallet	25,200
Total Plungers per Carton	1,400
Cartons per Layer	6
Layers per Layer	3



Optional Features

- In Mould Labelling (IML) for cartridge
- Premium Metallic and Clear IML
- Clear PP

Certification

- ✓ ISO 9001: 2015
- ✓ HACCP codex alimentarius | Alinorm 97/13A
- ✓ Made from food contact approved materials (FDA)



310ML CARTRIDGE

Standard Nozzle – Natural

Nozzle Weight	3.5 +/- 0.3g
Material	High Density Polyethylene (HDPE)
Nozzle Overall Length	107mm +/- 1mm
Nozzle Orifice	3mm +/- 0.2mm

Standard Pallet Configuration

Pallet Height	1.15m
Pallet Weight	210kg
Total Nozzles per Pallet	45,000
Total Nozzles per Carton	2,500
Cartons per Layer	6
Layers per Pallet	3



Nozzle with Strap – Natural

Nozzle Weight	4.0 +/- 0.3g
Material	High Density Polyethylene (HDPE)
Nozzle Overall Length	107mm +/- 1mm
Nozzle Orifice	3mm +/- 0.2mm

Standard Pallet Configuration

Pallet Height	1.15m
Pallet Weight	150kg
Total Nozzles per Pallet	25,200
Total Nozzles per Carton	1,400
Cartons per Layer	6
Layers per Pallet	3



Optional Features

- Custom Flange Diameter
- Coloured Nozzles (MOQ's apply)

Certification

- ✓ ISO 9001: 2015
- ✓ HACCP codex alimentarius | Alinorm 97/13A
- ✓ Made from food contact approved materials (FDA)



FEATURES & TECHNOLOGY

Ayva's **310ml Cartridge** is made from high density polyethylene specially formulated for high performance applications. Our cartridges can be decorated in full colour graphics using In Mould Labelling (IML) technology and are 100% recyclable.

Full wrap In Mould Labelling → providing superior graphics and colours

No sharp edges →

← Designed and manufactured to ensure consistent, concentric and parallel cartridge bodies

♻️ 100% Recyclable



Worldwide Exports



Rapid Order Processing



Latest Technology



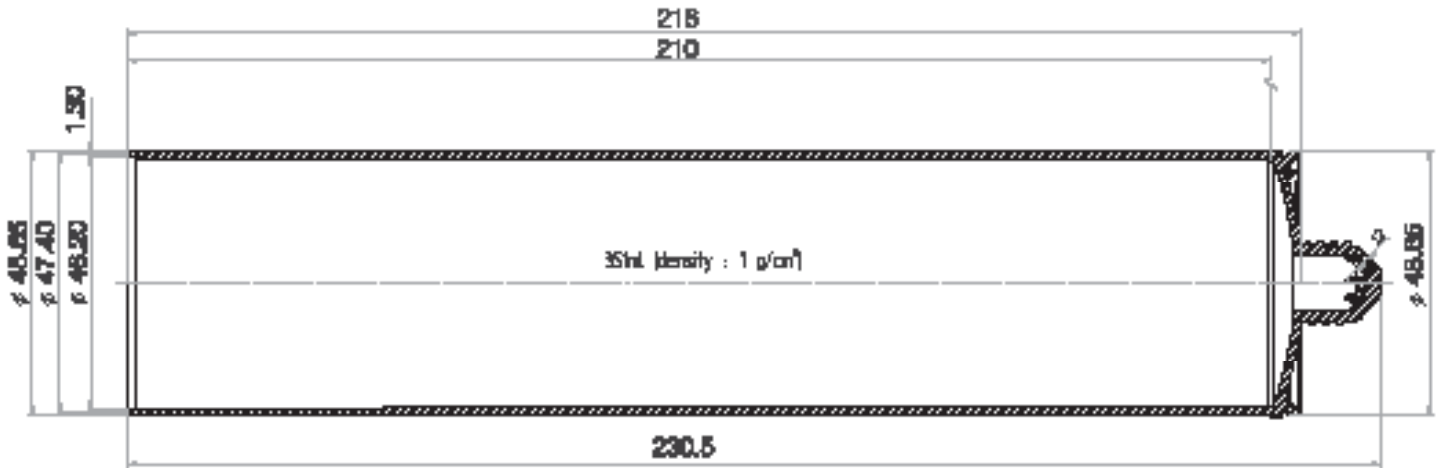
Fast Delivery Times



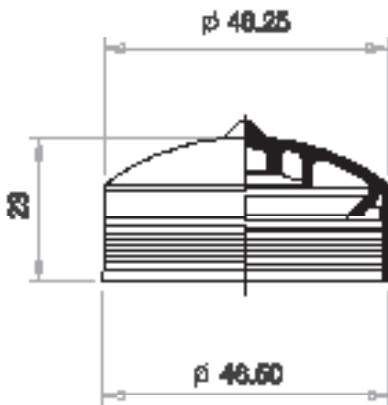
EXCEPTIONAL SHELF PRESENCE WITH IN MOULD LABELLING

DIMENSIONS

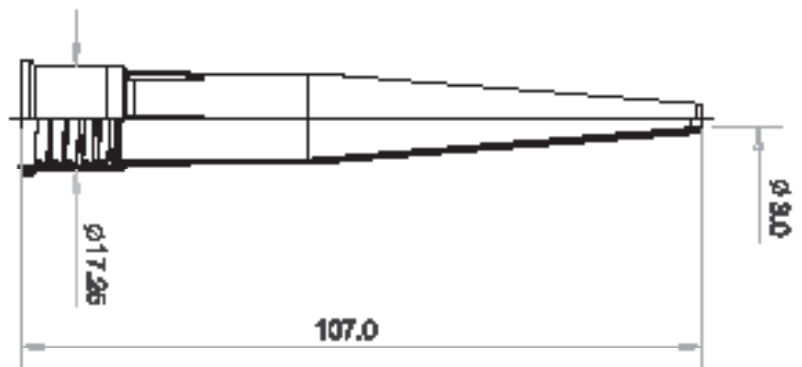
310ml Cartridge – Unprinted



Plunger – Natural



Standard Nozzle – Natural



AYVA PRODUCT RANGE →

