

# 450g GREASE CARTRIDGE

## 450g Cartridge – Unprinted

Cartridge Volume	540 ml +/- 5.0ml
Cartridge Weight	44.5g +/- 0.2g
Material	Polypropylene (PP)

Cartridge Height	222mm +/- 1.0mm
Cartridge Diameter ø	61mm +/- 0.5mm
Wall Thickness	1.0mm +/- 0.2mm

### Standard Pallet Configuration

Pallet Height	1.95m
Pallet Weight	170kg
Total Cartridges per Pallet	2,560
Total Cartridges per Carton	80
Cartons per Layer	8
Layers per Pallet	4



## End Cap

End Cap Weight	6g +/- 0.2g
End Cap Diameter ø	61.5mm +/- 1mm
Material	Polypropylene (PP)

### Standard Pallet Configuration

Pallet Height	1.75m
Pallet Weight	240kg
Total End Caps per Pallet	33,000
Total End Caps per Carton	1,100
Cartons per Layer	6
Layers per Pallet	5



## Optional Features

- In Mould Labelling (IML) for cartridge
- Premium Metallic and Clear IML
- Clear PP

## Certification

- ✓ ISO 9001: 2015
- ✓ HACCP codex alimentarius | Alinorm 97/13A
- ✓ Made from food contact approved materials (FDA)



## FEATURES & TECHNOLOGY

Ayva's **450g Grease Cartridge** is made from materials specially formulated for high performance industrial applications. Our Elite cartridge range can be decorated in full colour graphics using In Mould Labelling (IML) technology.

Leak free end cap →

Designed and manufactured →  
to ensure consistent, concentric  
and parallel cartridge bodies

Full wrap In Mould Labelling →  
providing superior graphics  
and colours

No sharp edges →

← A one piece unit - our integrated  
ring pull technology eliminates  
the risk of leaking

♻️ 100% Recyclable

🌐  
Worldwide  
Exports

🏭  
Rapid Order  
Processing

⚙️  
Latest  
Technology

🚚  
Fast Delivery  
Times

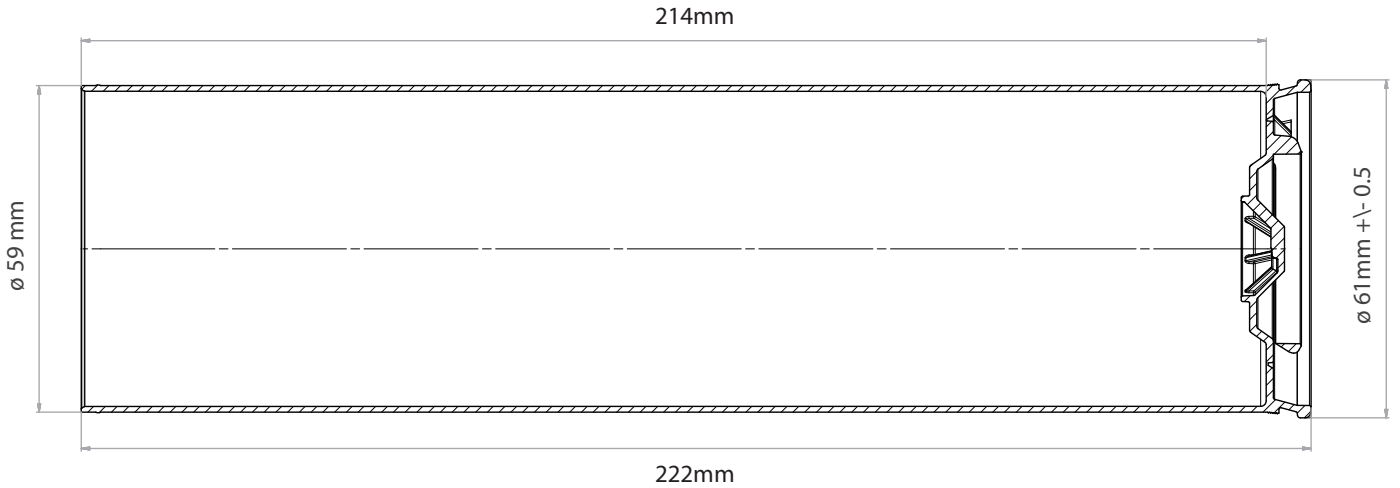


### EXCEPTIONAL SHELF PRESENCE WITH IN MOULD LABELLING

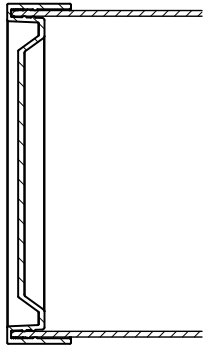
# 450g GREASE CARTRIDGE

## DIMENSIONS

### 450g Cartridge – Unprinted



### End cap



### AYVA PRODUCT RANGE →

